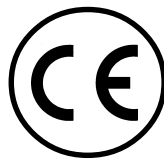


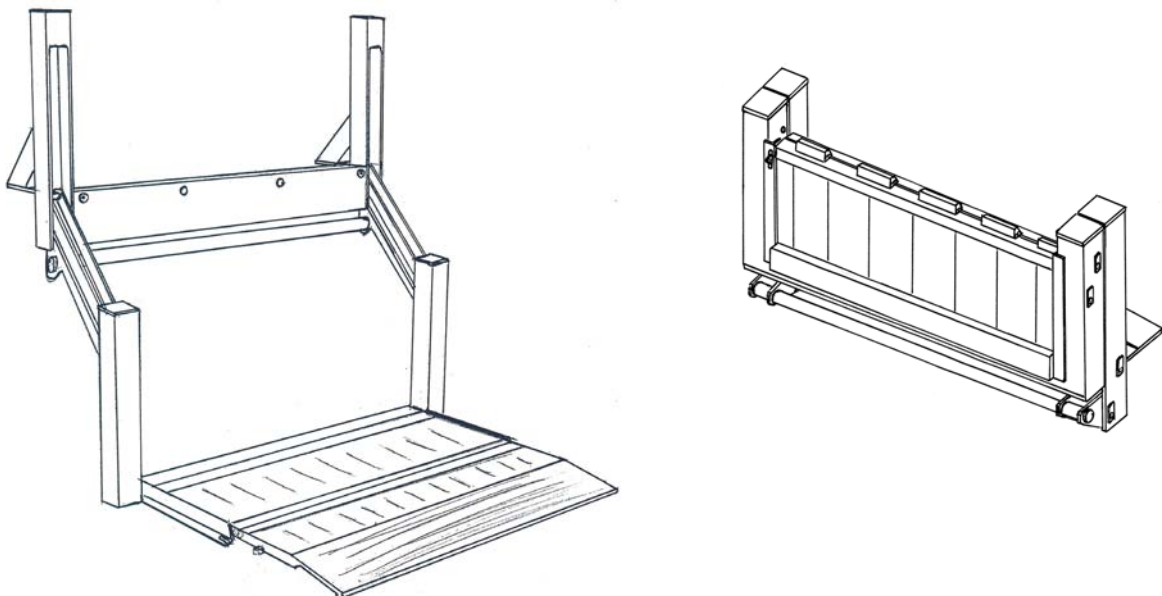
# QUICK INSTALLATION GUIDE

## FOR THE "AHT" TAIL LIFT



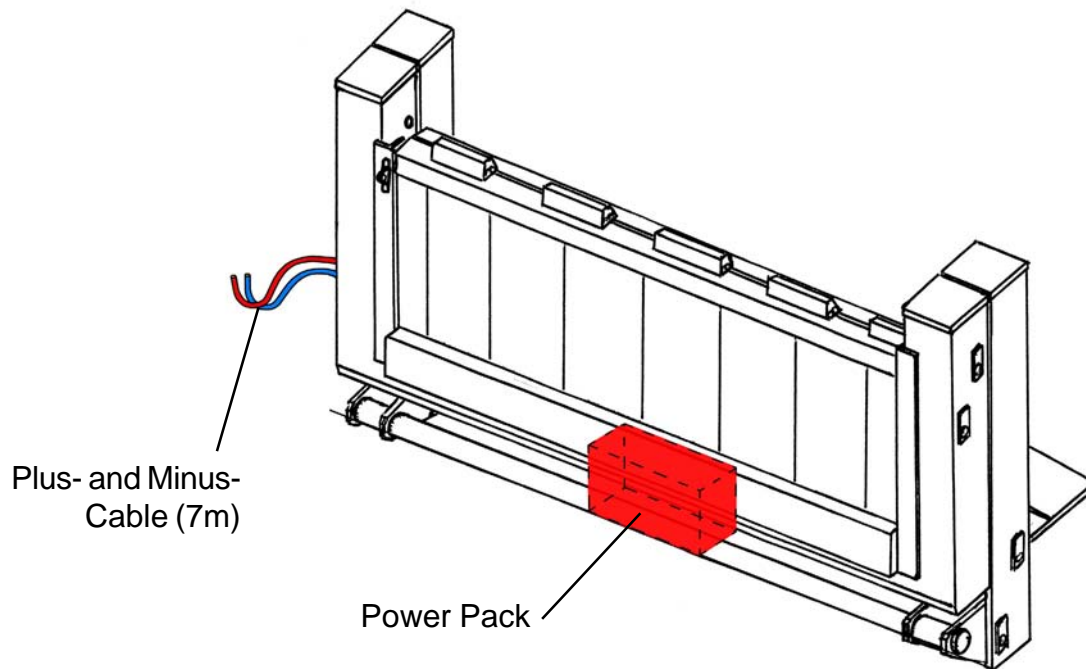
### PKL-300.110AL/AL

Max. load capacity: 300kg at 500mm  
For Truck: Max. Loading High: 1100mm unloaded  
Min. Door Intermediate Width: 1700mm



## UNPACKING THE TAILGATE LOADER

The tailgate loader is completely assembled and ready for use:



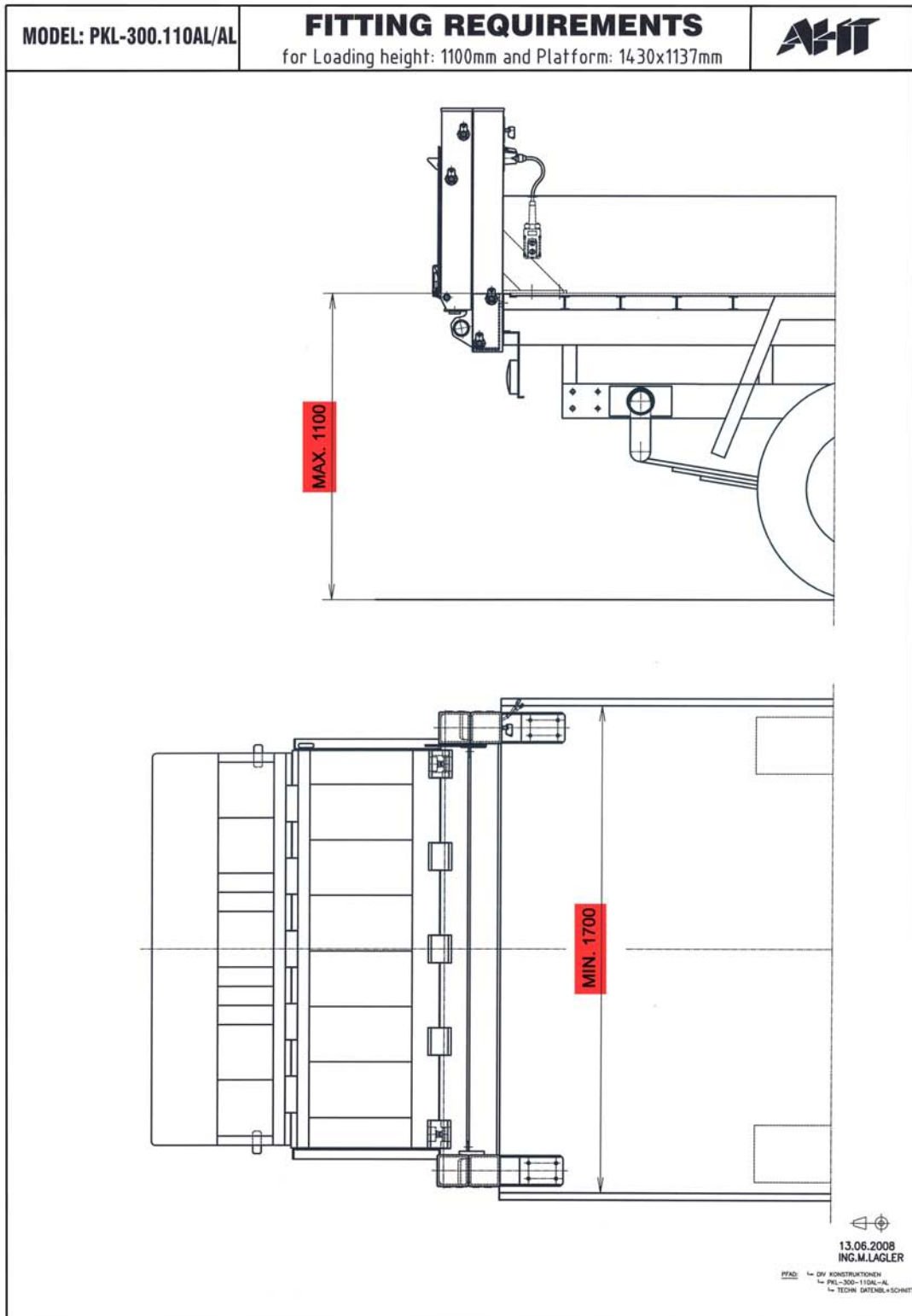
The power pack is in the inside of the main frame and ready for work.  
Only the Plus and Minus cable must be connected on the vehicle battery.

# INSTALLATION INSTRUCTIONS

## - Position the tailgate loader:

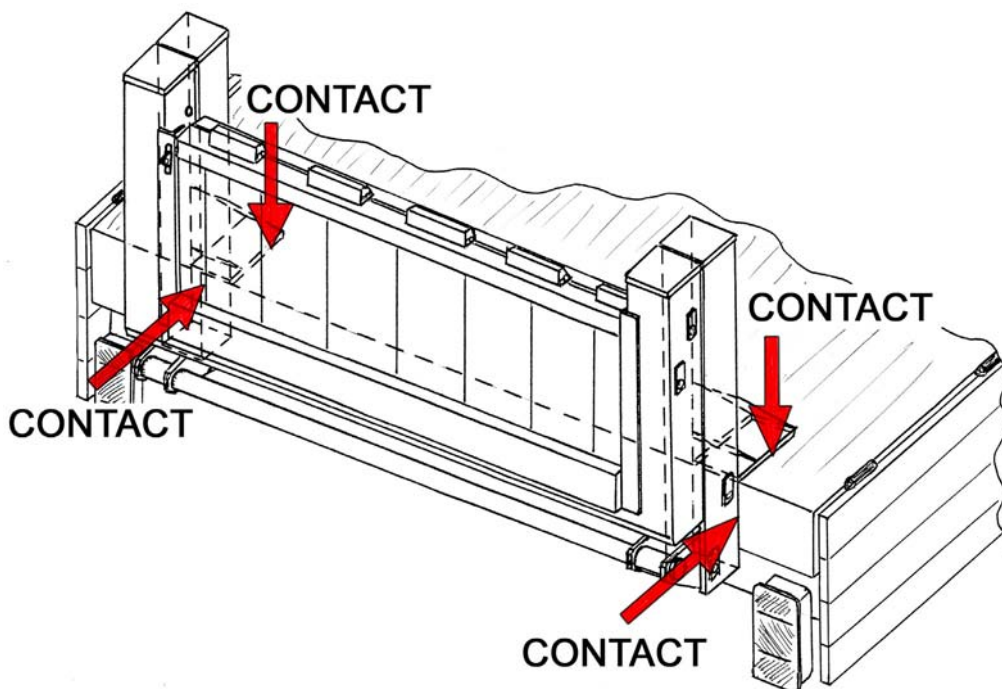
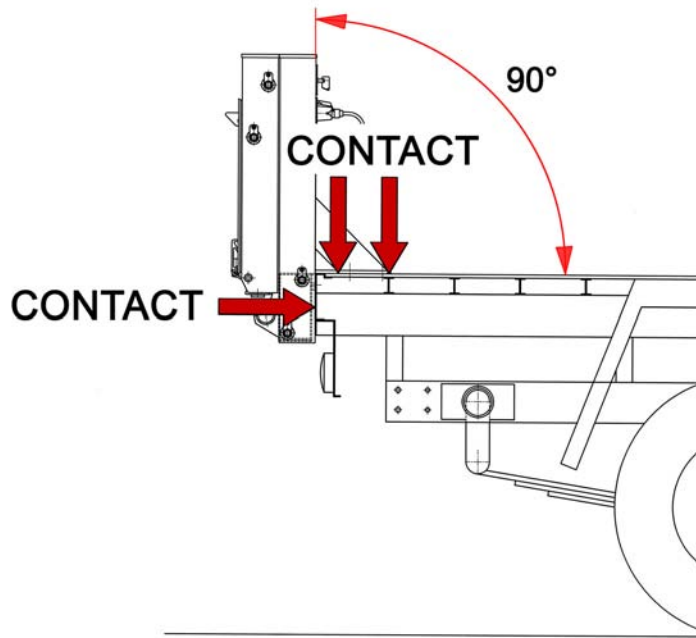
Center the tailgate loader on the end of truck floor.

**ATTENTION:** Comply the fitting requirements as shown in the picture below.



## INSTALLATION INSTRUCTIONS

**Attention:** The tailgate loader must have a contact on the under side and on the front side with the truck floor. (on both sides)



If the tailgate loader is in the correct position, fix it with screw clamps onto the truck.

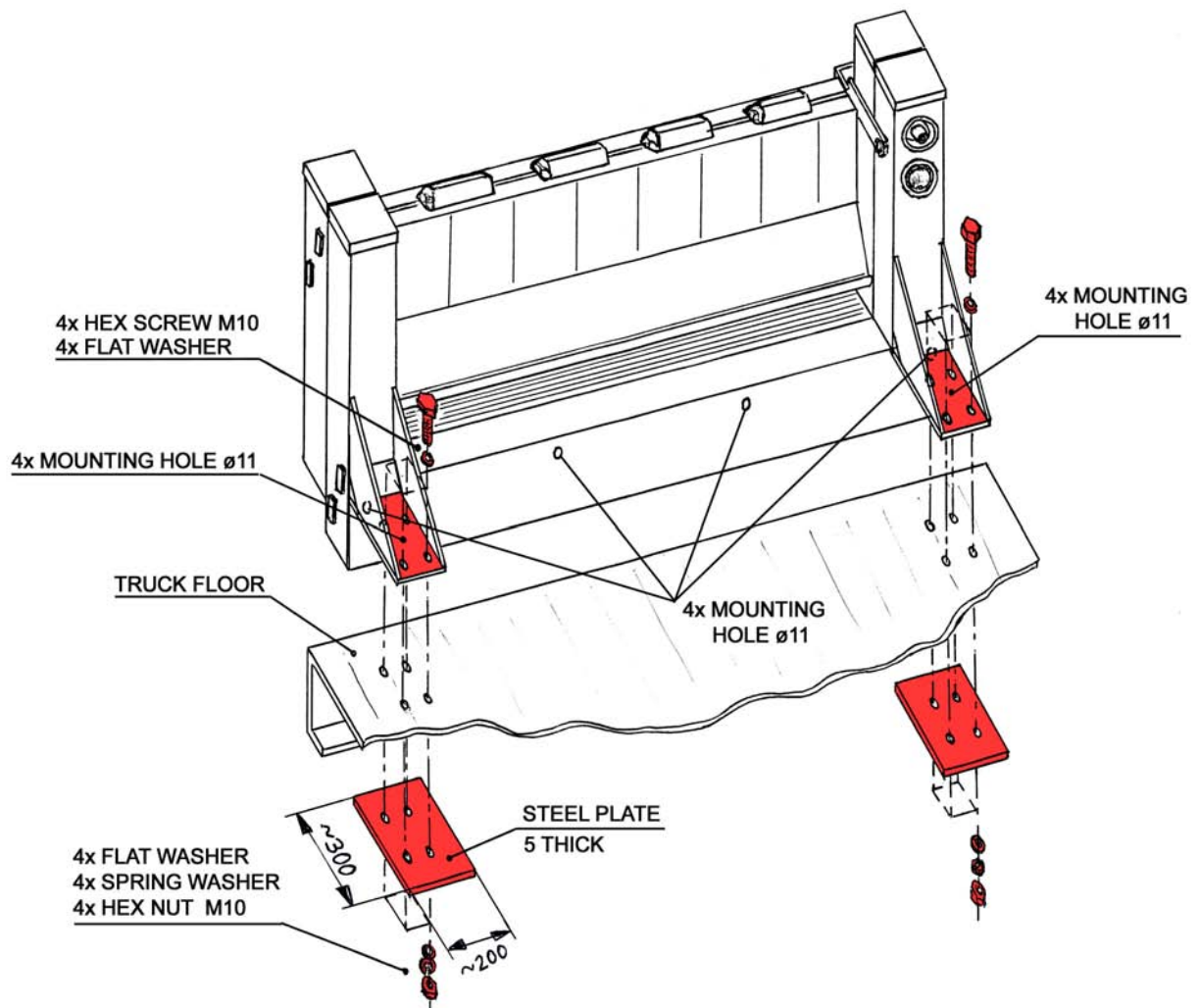
# INSTALLATION INSTRUCTIONS

## - Installing the tailgate loader

Drill 4x holes  $\varnothing 11$ mm on each side into the truck floor.

Install 4x hex screws M10 on both sides as shown in the picture below.

**ATTENTION:** Use a steel plate (approximately. 200x300mm; **not supplied**) 5mm thick on the underside of the truck floor for stiffening the truck floor.



# INSTALLATION INSTRUCTIONS

## Energize the power pack

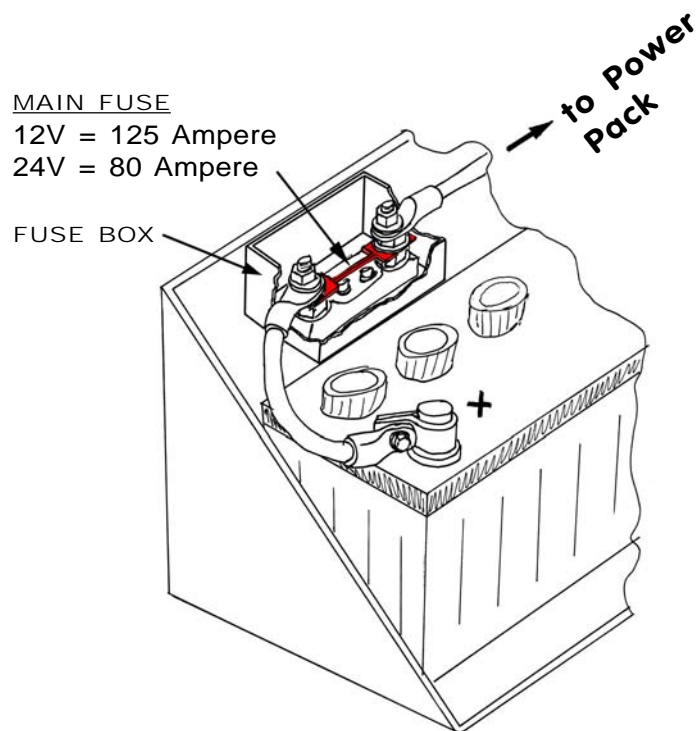
Be sure the vehicle and the tailgate loader are of the same current (12V or 24V).

Fuse is in the power pack. (12V = 16 Amp and 24V = 8 Amp).

Connect the **positive cable, directly from the battery, to the starter solenoid. (min. 16mm<sup>2</sup>)**

Connect the **negative cable, directly from the battery, to the motor ground. (min. 16mm<sup>2</sup>)**

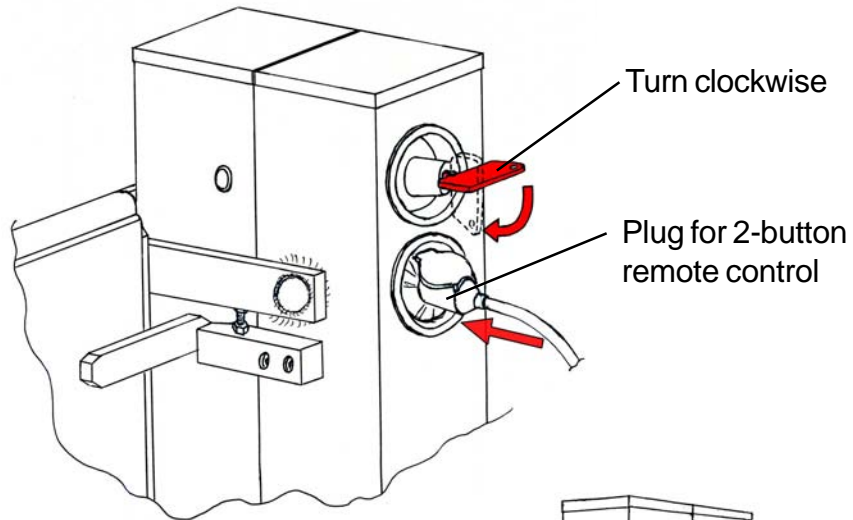
- Build in between Battery (+) and (+)-Cable the Main Fuse



# INSTALLATION INSTRUCTIONS

## Lower the tailgate loader

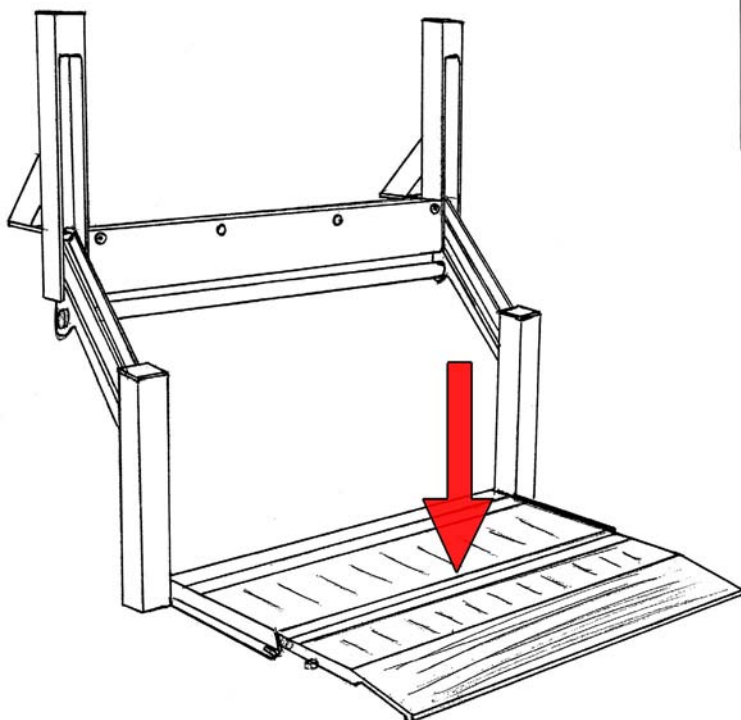
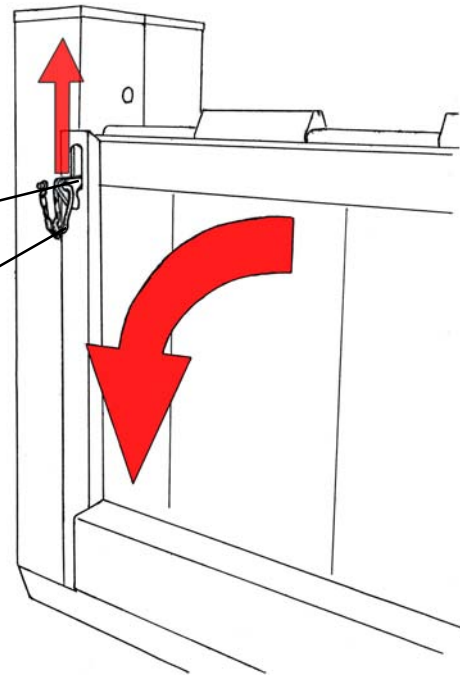
- Turn the red key clockwise to switch on the power pack.
- Plug in the 2-button remote control.



- Remove the carbine from the platform lock.
- Push the platform lock upwards while turning the platform downwards.

Platform lock

Carbine

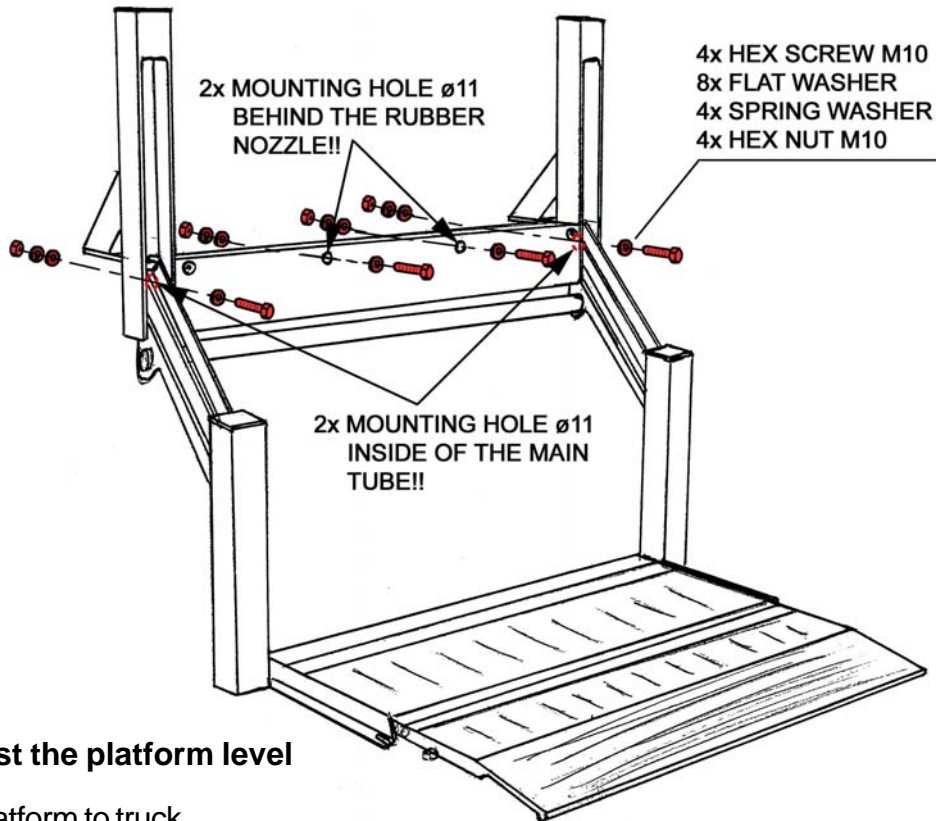


- Press the „LOWER“ button on the 2-button remote control to lower the platform to ground.

# INSTALLATION INSTRUCTIONS

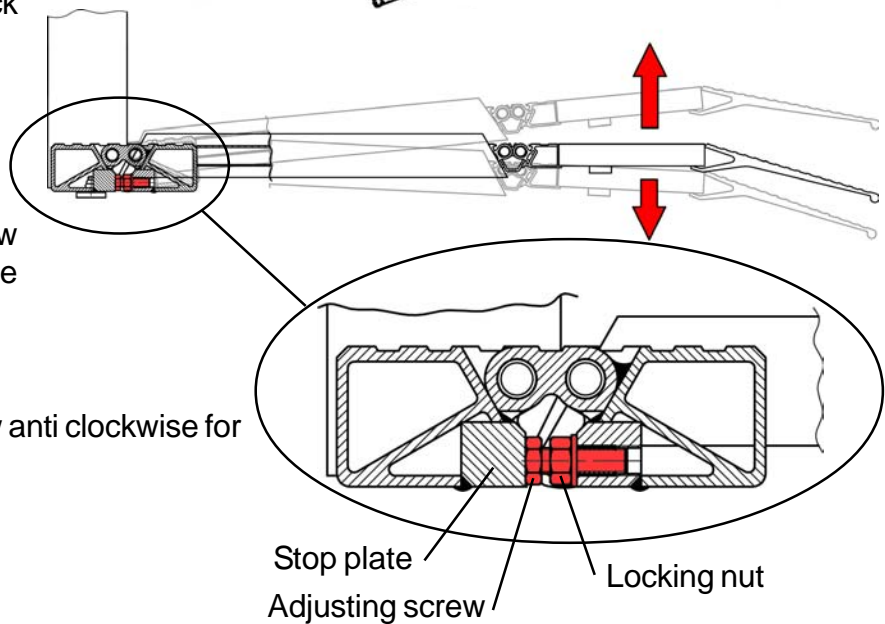
## - Installing the tailgate loader

Drill 4x holes  $\varnothing 11$  mm on the rear of the truck floor.  
Install 4x hex screws M10 as shown in the picture below.



## - How to adjust the platform level

- Raise the platform to truck floor.
- Loosen the locking nut. **(on both sides)**
- Turn the adjusting screw clockwise for lower the platform tip **(on both sides)**
- Turn the adjusting screw anti clockwise for raise the platform tip **(on both sides)**



- Check the correct adjustment of the adjusting screws

**!!! ATTENTION: Both adjusting screws must have contact with the stop plate !!!**

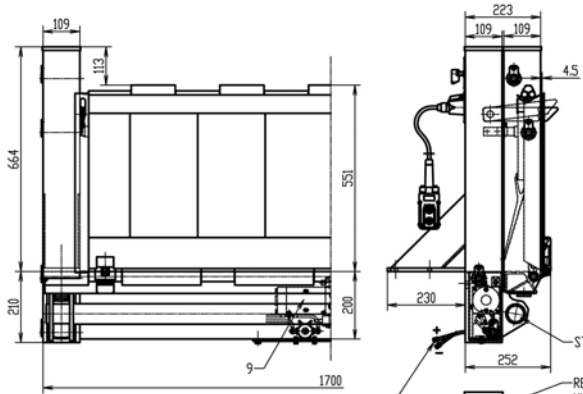
- If the platform level is correct, fasten the locking nut. **(on both sides)**



**MODEL: PKL-300.110AL/AL**

# BASIC DIMENSIONS

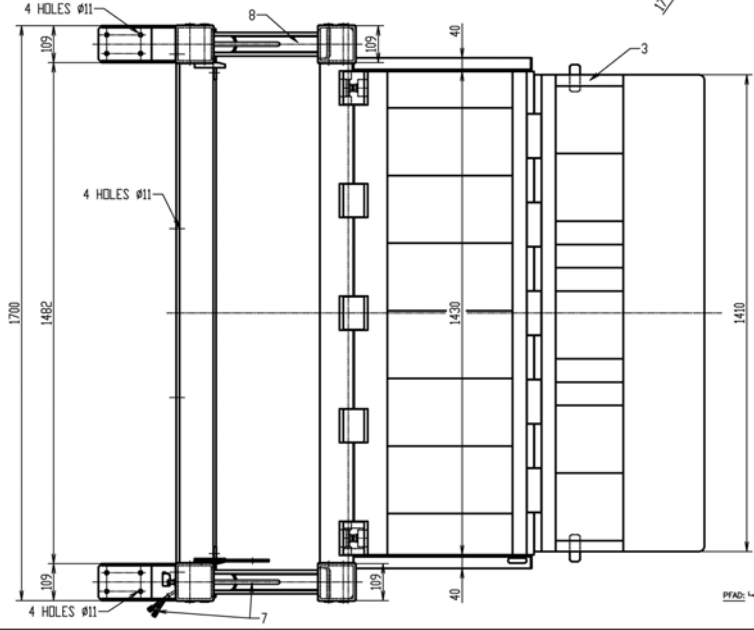
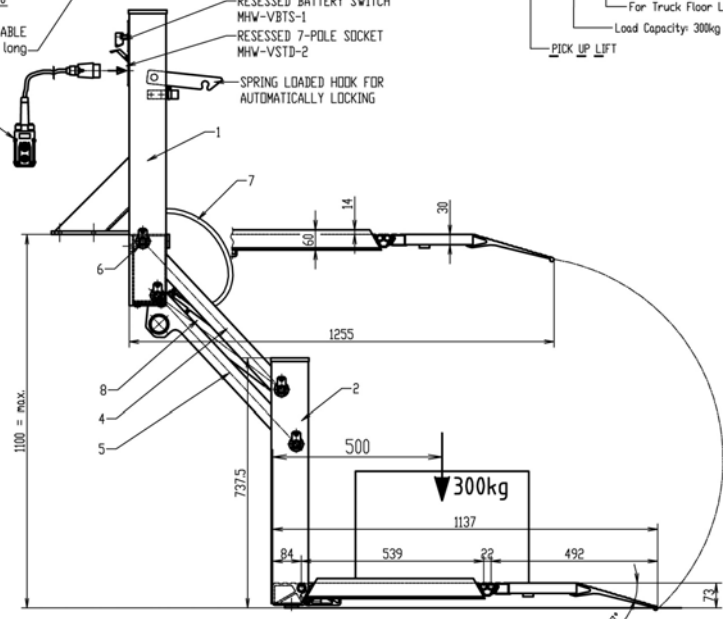
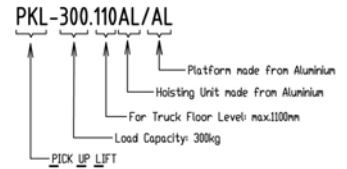
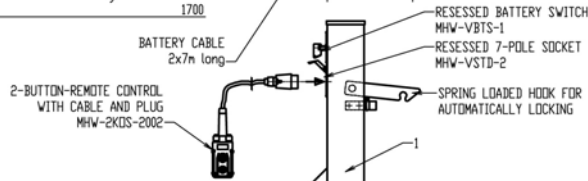
for Loading height: 1100mm and Platform: 1430x1137mm



PART No.	PCS.	DESCRIPTION	DRAWING No.	WEIGHT
1	1	SUPPORT FRAME	PKL-300.110AL-1/1591	24.0 kg
2	1	SWING FRAME	PKL-300.110AL-2/1591	17.5 kg
3	1	PLATFORM ALUMINIUM 1430x1137	PKL-300AL-3/1591	45.3 kg
4	2	LEVER	PKL-300.110AL-4	3.6 kg
5	1	LIFT ARM	PKL-300.110AL-5/1591	8.6 kg
6	1 SET	BOLT ASSEMBLY	PKL-300AL-6.1	1.8 kg
7	1 SET	HYDRAULIC HOSE, OIL- and - CABEL, ADDITIONAL PARTS	PKL-300AL-7	9.0 kg
8	2	LIFT CYLINDER with mech. hose burst valve	HZ-25/300AL	6.0 kg
9	1	POWER PACK 0.8kW, 12VDC, 180bar	PKL-2008B	8.2 kg

\* READY FOR WORK

\*TOTAL WEIGHT 124 kg



13.06.2008  
ING.M.LAGLER

PFAD: \- 01- KONSTRUKTIONEN  
PKL-300-110AL-AL  
TECHN. DATENBL.+SCHNITT

**MODEL: PKL-300.110AL/AL**

## LIFT SPECIFICATIONS

for Loading height: 1100mm and Platform: 1430x1137mm



### STANDARD SPECIFICATIONS

CAPACITY kg	300kg at 500mm Gravity Center
NOMINAL PLATFORM SIZE mm	1430 Width x 1137 Length x 73 Depth
INSTALLED WEIGHT kg	124
FITTING REQUIREMENTS mm	1100 Max. Height Unloaded 1700 Min. Truck Door intermediate Width
ADDS TO VEHICLE mm	252

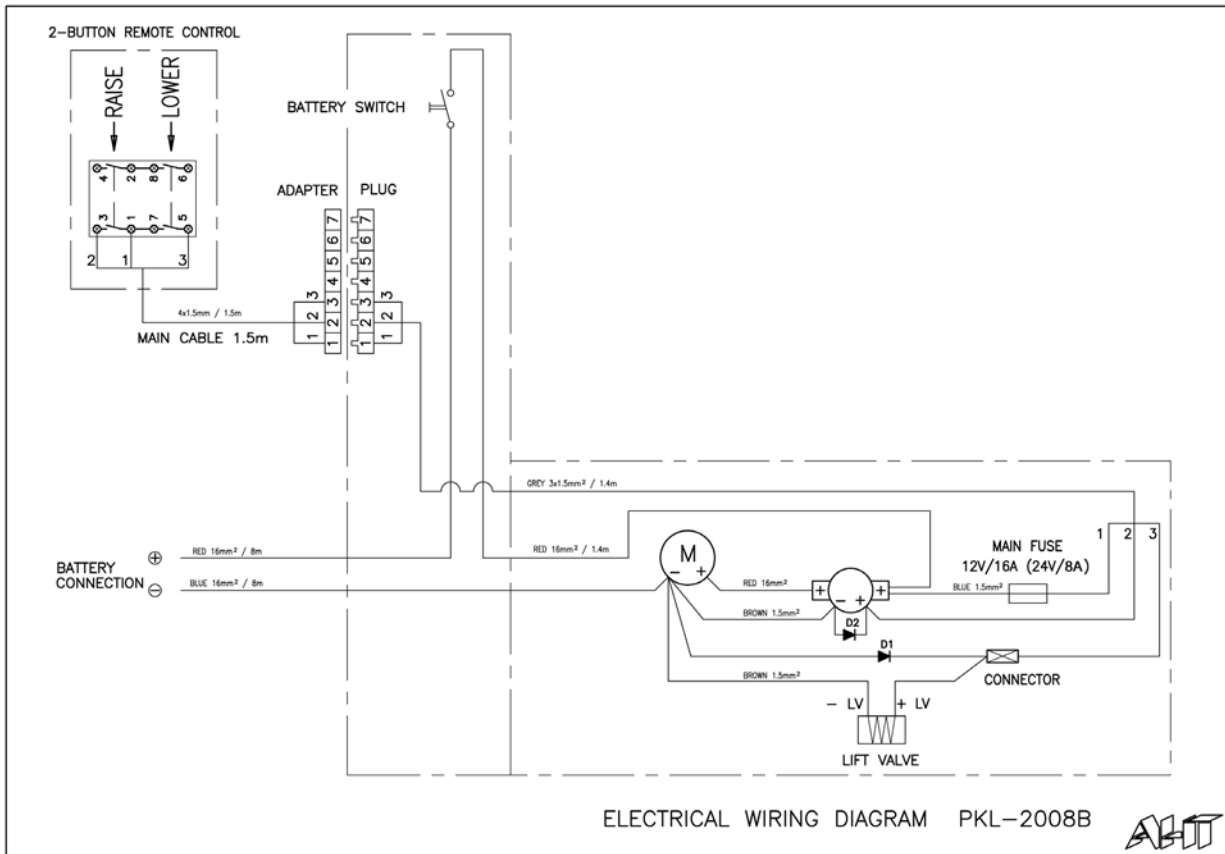
### OTHER SPECIFICATIONS

<b>WEIGHT</b>	Unit & Cylinder kg	124	
	Installation Kit kg	6	
<b>PLATFORM</b>	ALUMINIUM EXTRUSION PROFILE	30 mm thick	
	Execution	folding in the Middle	
	Trolley Stops	No	
	Platform Angle	Platform 0° (Platformtip 17°)	
<b>LEVER + LIFT ARM</b>	Construction	2x10mm Aluminium Plate Liftarm with Stabilizerpipe	
	Lever (+Liftarm) Depth mm	70	
	Lever (+Liftarm) Length mm	600	
	Lever—Overall width mm	70	
	Liftarm—Overall width mm	1661	
	Re—Bushable	Yes	
<b>SUPPORT FRAME</b>	Construction	U—109x109x5.5; Aluminium; Length: 870	
	Overall width mm	1700	
<b>SWING FRAME</b>	Construction	U—109x109x5.5; Aluminium; Length: 720	
	Overall width mm	1700	
<b>PINS</b>	Material	ø20mm Hard Chrome Plated	
	Grease Nipples	Yes	
	Pinlock and Srews	Stainless steel	
<b>BUSHES</b>		Steel Teflon Coated	
<b>HYDRAULIC</b>	Power Pack	M.H.W.	
	Weather Proof Alum Enclosure and Sound Proof	Included	
	Motor Size	0.8kW; 12 or 24VDC	
	Pump Size	0.17ccm/U	
	All Aluminum Cylinder:	Quantity	Two (2) Lift
		Size	ø25mm; max. Stroke:300mm
		Quality	Cylindertube Aluminium Piston are Steel chrom plated and Teflon Sealed for Long Life
	Hose Burst Valve	one mechanical hose burst valve on each Cylinder	
	Leak Proof Check Valve	Included	
	Hoses	ø6mm (1/4") Thermo Plastic 4pcs. L=750mm	
	Flow Control	Pressure Compensating	
Oil Type	Hydraulic Oil 22cSt		
<b>OPERATION</b>	Lift Operation	Power up/Gravity down	
	Closing Operation	manual Closing and Opening	
	Locking Device	Automatic Lock between Support Frame and Platform	
<b>CONROLS</b>	Battery Isolation Switch	Integral to Support Frame	
	Fixed Control	No	
	Removable Remote Push Button	2 Button plugged in Support Frame	

13.06.2008  
ING.M.LAGLER

PFAD: \... DIV KONSTRUKTIONEN  
PKL-300-110AL-AL  
TECHN DATENB+SCHNITT

# ELECTRIC SCHEMATIC



# HYDRAULIC SCHEMATIC

